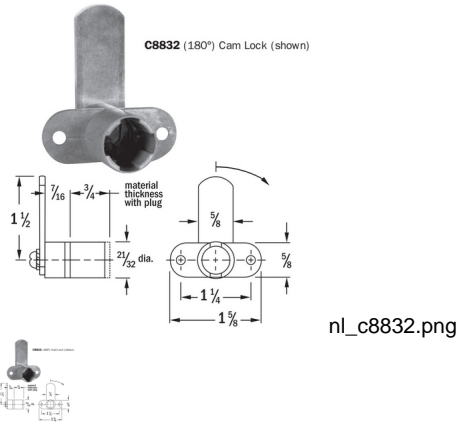


National Lock C8832 RemovaCore Cam Lock 180 Degree Cam Turn Less Core - NL C8832



Rating: Not Rated Yet

Price

Price Each:\$5.23

[Ask a question about this product](#)

Description National Lock C8832 RemovaCore Cam Lock with 180 Degree Cam Turn Less Core. APPLICATION ? For wood pedestals, door or drawer, R.H. or L.H. Surface Mounted. For flipper door use C7015 offset cam and C2003 strike. OPERATION ? Choice of 90° or 180° cam rotation, CCW to lock. KEYING* ? Order core plug separately, C8850. PACKAGING ? Housing assembly supplied with two mounting screws and straight cam. FINISH - Housings are unplated.National Lock C8832 RemovaCore Cam Lock with 180 Degree Cam Turn Less Core. APPLICATION ? For wood pedestals, door or drawer, R.H. or L.H. Surface Mounted. For flipper door use C7015 offset cam and C2003 strike. OPERATION ? Choice of 90° or 180° cam rotation, CCW to lock. KEYING* ? Order core plug separately, C8850. PACKAGING ? Housing assembly supplied with two mounting screws and straight cam. FINISH - Housings are unplated.National Lock C8832 RemovaCore Cam Lock with 180 Degree Cam Turn Less Core. APPLICATION ? For wood pedestals, door or drawer, R.H. or L.H. Surface Mounted. For flipper door use C7015 offset cam and C2003 strike. OPERATION ? Choice of 90° or 180° cam rotation, CCW to lock. KEYING* ? Order core plug separately, C8850. PACKAGING ? Housing assembly supplied with two mounting screws and straight cam. FINISH - Housings are unplated.